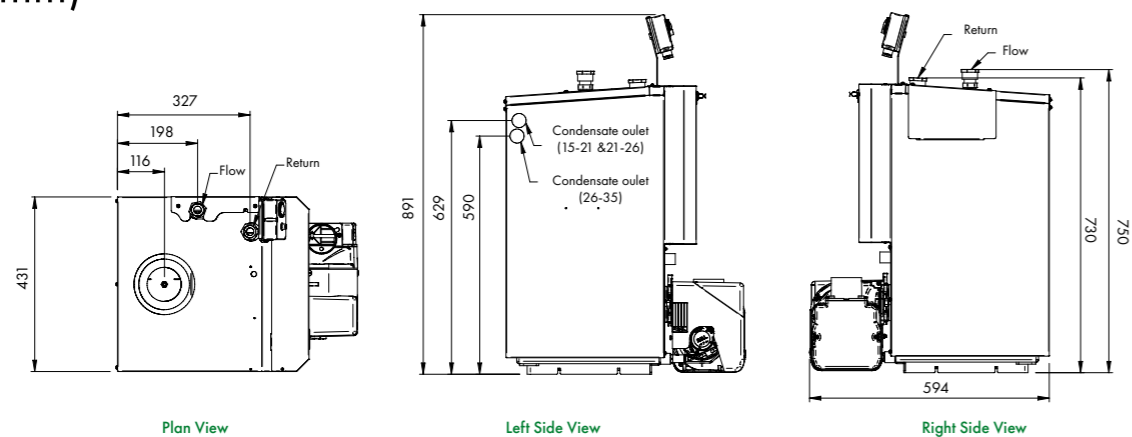


# Vortex Boiler House Range Technical Specifications

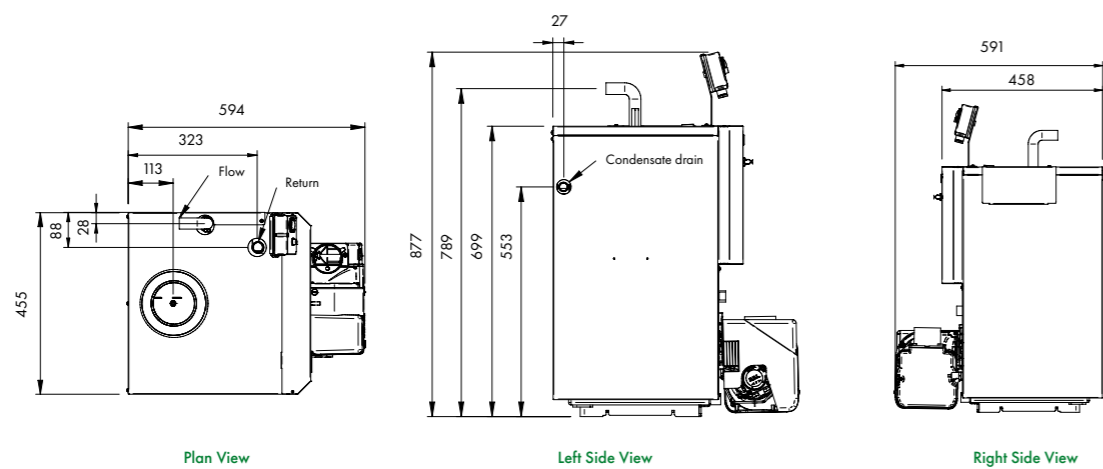
Model	Output kW	Output Btu/h	Set Output kW	Flow Connection mm	Return Connection mm	Cold Water In mm	Pressure Relief mm	Weight (dry) kg
VTXBH1526	15-26	50 - 90,000	21	1" BSP	1" BSP	n/a	n/a	125
VTXBH2646	26-46	90 - 157,000	41	28mm	1" BSP	n/a	n/a	145
VTXBH4670	46-70	157 - 240,000	64	1¼" BSP	1¼" BSP	n/a	n/a	301

## Dimensions (mm)

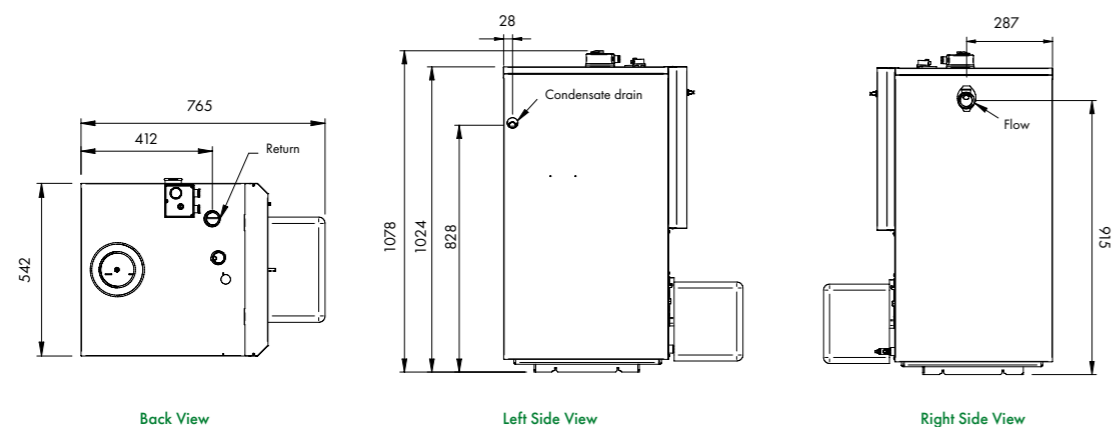
Vortex Boiler House 15-26kW



Vortex Boiler House 26-46kW



Vortex Boiler House 46-70kW



# Vortex Boiler House Range

Featuring an externally mounted Riello RDB burner and dual thermostat, the Vortex Boiler House models are ideal for locations which are difficult to access and where a white cased utility boiler is not always the best solution. The Vortex Boiler House range encompass the same unique heat exchangers and turbulator baffle system used in Grant's other oil boilers. Consequently, Grant's Boiler House models have ultra-high efficiencies and low running costs.

### Models

VTXBH15/26 Vortex Boiler House 15-26kW

VTXBH26/46 Vortex Boiler House 26-46kW

VTXBH46/70 Vortex Boiler House 46-70kW

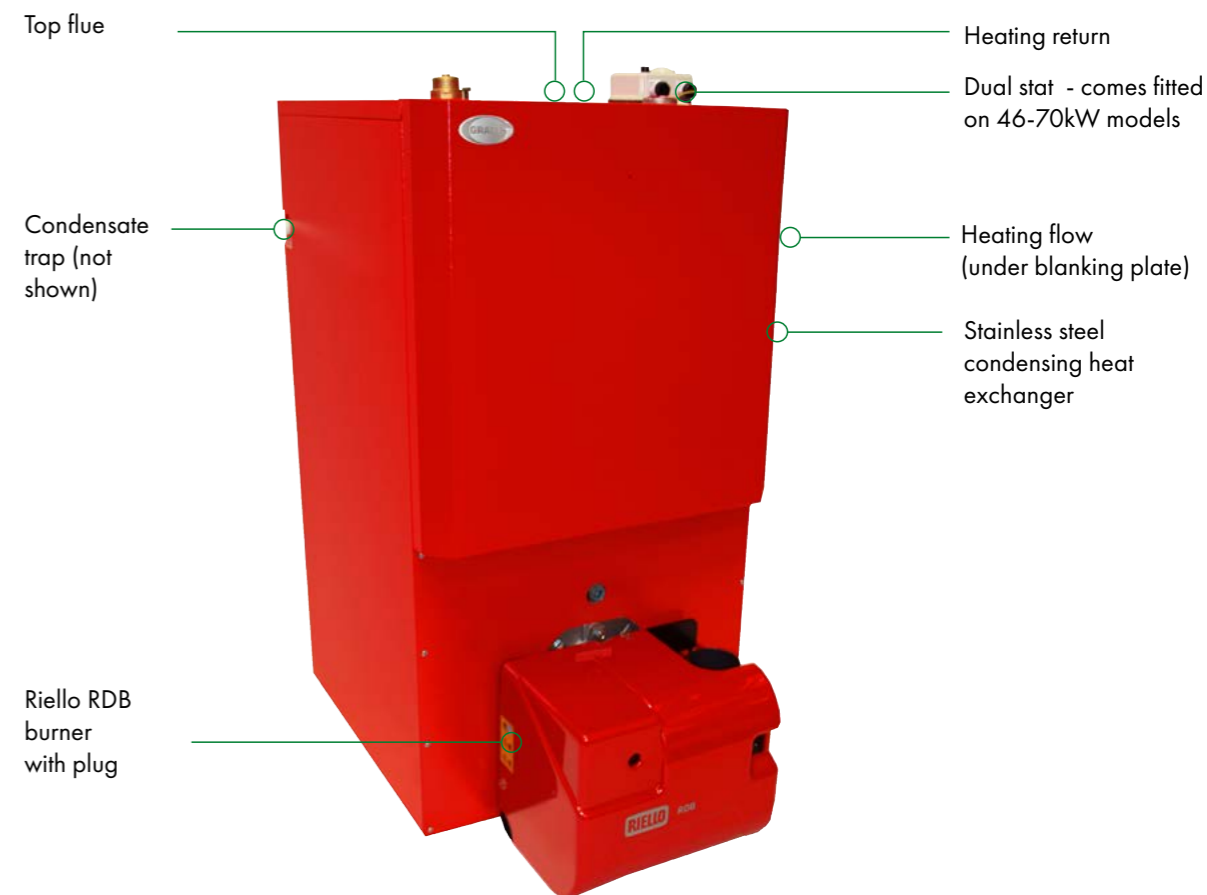
- 15kW – 70kW outputs available
- Distinctive red powder coated casing
- Compatible with all Grant EZ-Fit flue options and are flued in the same way as utility models



5 year guarantee\*



space heating efficiency up to 91.7%



\*When installed by a G1 Installer. Subject to full T&C's.

Model shown: VTXBH26/46